

**Ordering number CN13160_LENA-WAS**

Family	Lena	FWHM	Asymmetric degrees
Type	Assembly	Efficiency	80 %
LED	BXRA ES Rectangle	cd/lm	1.130
Color	Metal	Gerber File	Available
Diameter	111 mm		
Height	39 mm		
Style	Round		
Optic Material	PC		
Holder Material	-		
Fastening	-		
Status	Ready		

Ordering number CN13170_LENA-WAS-DL

Family	Lena	FWHM	Asymmetric degrees
Type	Assembly	Efficiency	77 %
LED	BXRA ES Rectangle	cd/lm	0.460
Color	Metal	Gerber File	Available
Diameter	111 mm		
Height	-		
Style	Round		
Optic Material	PC		
Holder Material	-		
Fastening	-		
Status	Ready		

NOTE: The typical divergence will be changed by different color, chip size and chip position tolerance. The typical total divergence is the full angle measured where the luminous intensity is half of the peak value.



PRODUCT DATASHEET

Lena series

last update 5/12/2012



GENERAL INFORMATION

- Product series especially designed & optimized for BXRA ES Rectangle series of LEDs.
- Special care taken to make light distribution as uniform as possible.
- Reflector is made of aluminium coated PC (120 degrees of Celcius / 248 degrees of Fahrenheit) with protective lacquer (110 degrees of Celcius / 230 degrees of Fahrenheit).

D

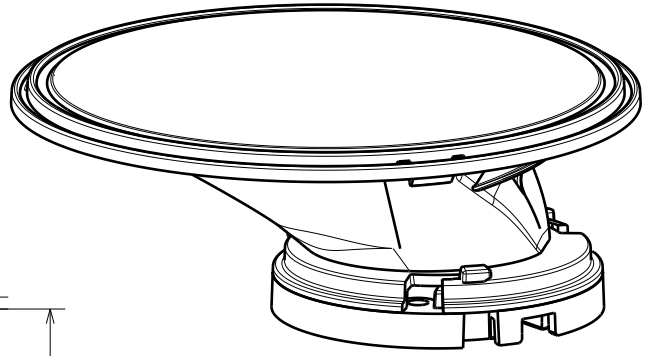
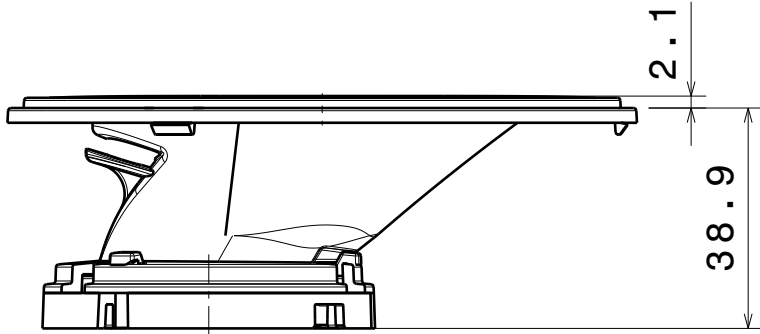
C

B

A

4

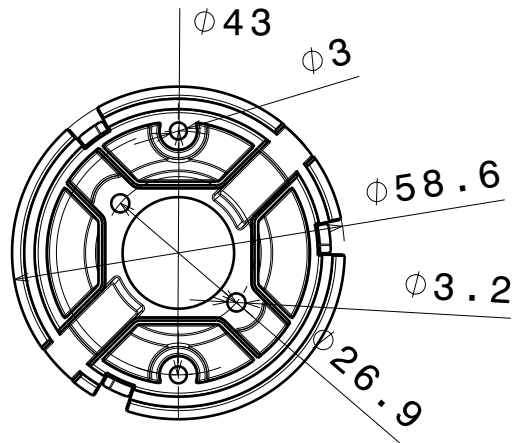
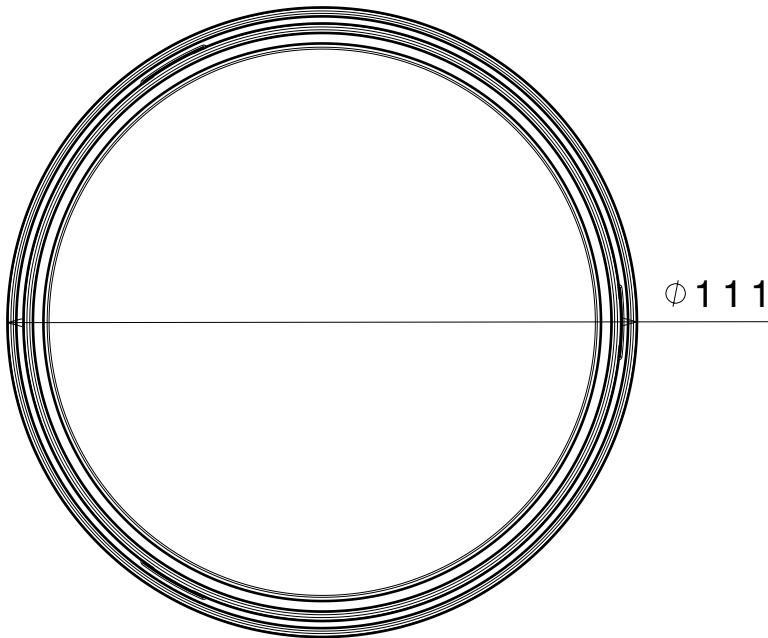
4



Isometric view

3

3



2

2

Materials

Reflector: PC
 Base part: PC
 Sublens: PC

Note: Using additional sublens add 2,1mm to total height.

This drawing is our property.
 It can't be reproduced
 or communicated without
 our written agreement.



Ledil Oy
 Salorankatu 10
 FIN 24240 SALO
 Finland

DRAWING TITLE

Mechanical drawing

DRAWN BY

DATE

as

26.9.2012

LENA-WAS

CHECKED BY

DATE

VS

-

SIZE

PART NUMBER

REV

A4

001

DESIGNED BY

DATE

-

-

SCALE

1:4

WEIGHT

- mg

SHEET

1/1

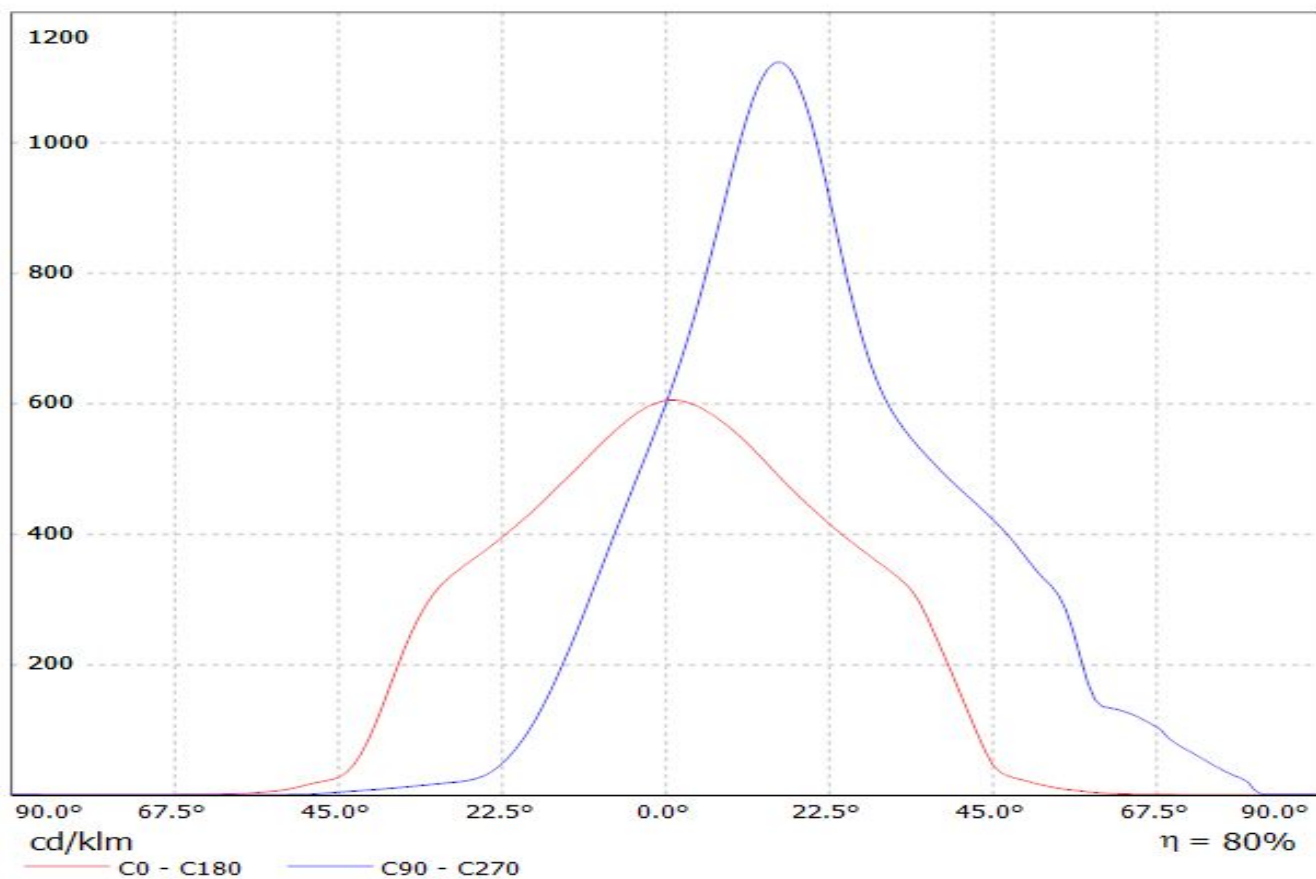
D

A

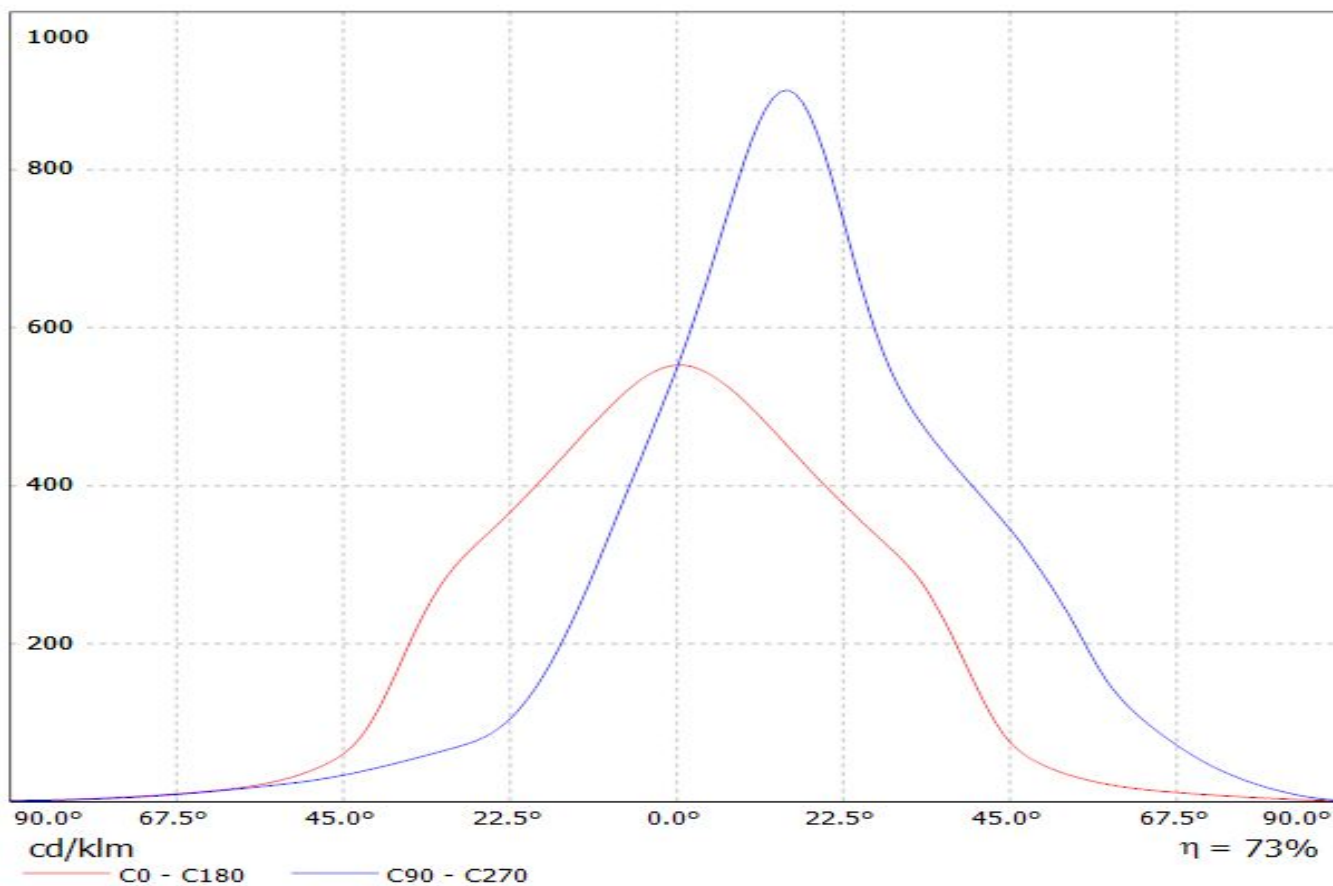
1

1

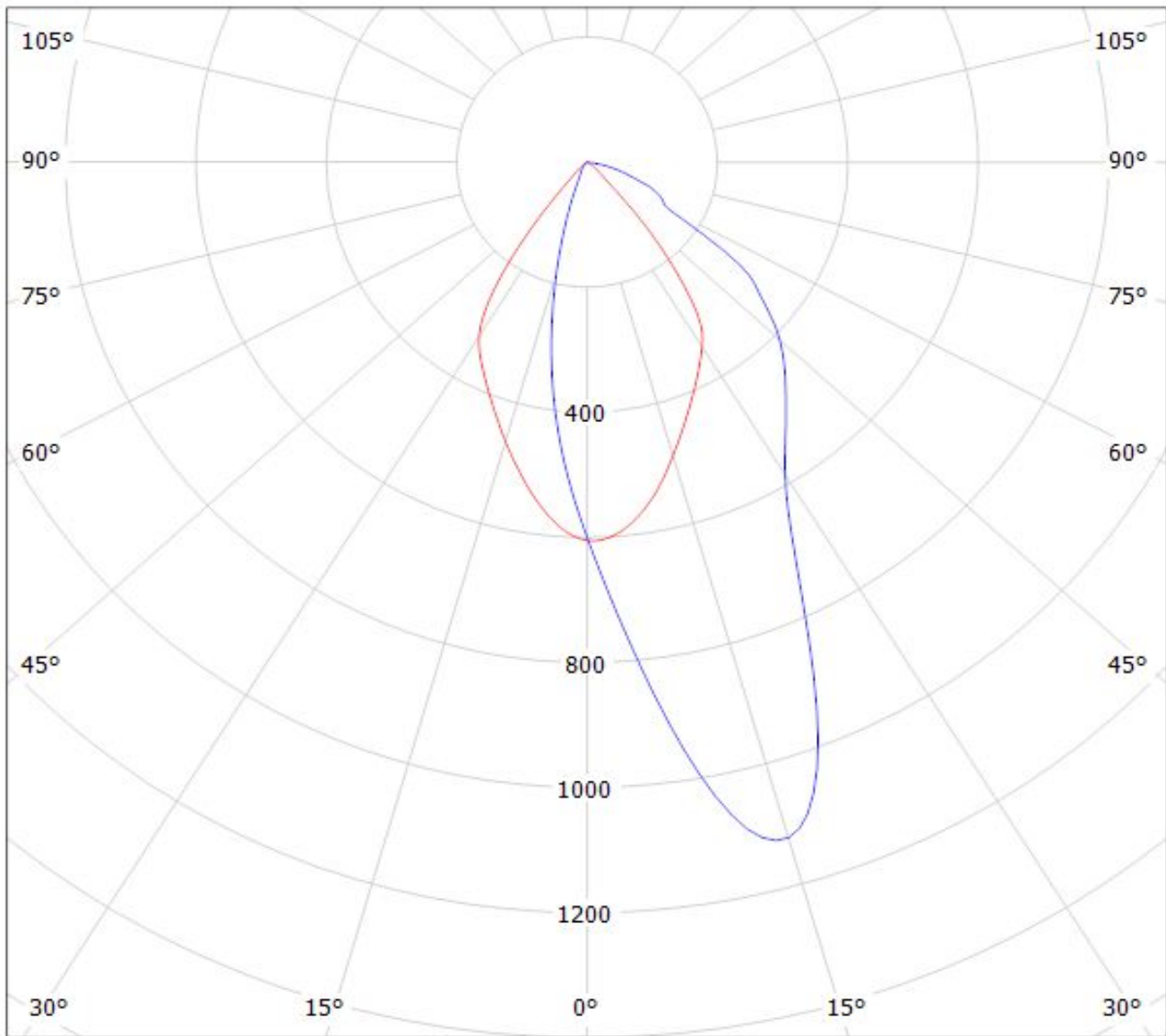
Luminaire: LEDiL Oy CN13160_LENA-WAS_(BXRA_ES) Eff.79.6%
Lamps: 1 x BXRA-W1203_ES (297.805lm@250mA)



Luminaire: LEDiL Oy CN13170_LENA-WAS-DL_(BXRA_ES) Eff.73.2%
Lamps: 1 x BXRA-W1203 (297.805lm@250mA)



Luminaire: LEDiL Oy CN13160_LENA-WAS_(BXRA_ES) Eff.79.6%
Lamps: 1 x BXRA-W1203_ES (297.805lm@250mA)

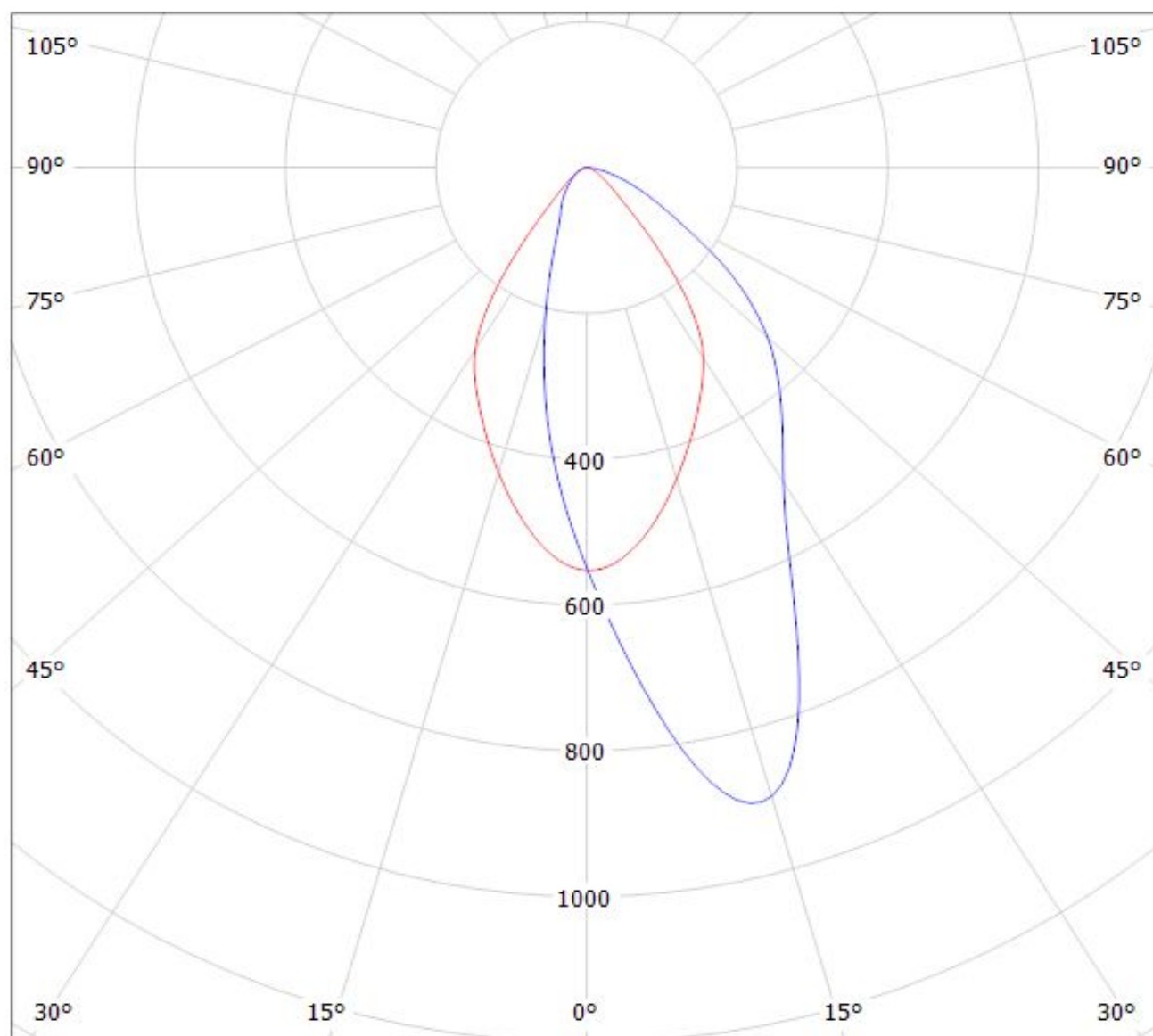


cd/klm

$\eta = 80\%$

— C0 - C180 — C90 - C270

Luminaire: LEDiL Oy CN13170_LENA-WAS-DL_(BXRA_ES) Eff.73.2%
Lamps: 1 x BXRA-W1203 (297.805lm@250mA)



cd/klm

— C0 - C180

— C90 - C270

$\eta = 73\%$

Mouser Electronics

Authorized Distributor

Click to View Pricing, Inventory, Delivery & Lifecycle Information:

Ledil:

[CN13170_LENA-WAS-DL](#)